

## TV Mounting Bracket for the GC600 & GC680

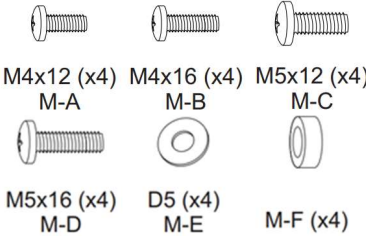
### Installation and Use Instructions

#### Introduction

This TV mounting kit has been specifically designed for use with the VW Grand California 600 or 680 rear bench seat headrests. It can accept TVs and computer monitors with standard VESA compatible fixings (75mm x 75mm, or 100mm x 100mm standard) with a maximum weight of 8kg and up to 32" in size. As with all our products it can be installed without the need for any permanent alterations to your VW Grand California. The initial installation should take only 5 minutes.

#### Components

ID	Description	Image
A	Rail Assembly	
B	Tilt and pan connector	
C	M8 x 22mm Cap head screw x2	
D	6mm and 3mm hex keys	
E	VESA mount plate 75mm x 75mm, 100mm x 100mm compatible	
F	Knurled thumb screw	

G	VESA mount fixing kit	
---	-----------------------	--

## Assembly of components

1. Attach the Tilt and Pan connector part (B) to the Rail Assembly Part (A) using the supplied M8 x 22mm cap head screws Part (C). Slide the slot nuts inside the rail assembly as required, it is usually best to position the tilt and pan connector centrally within the aluminium rail. Use the supplied 6mm hex key Part (D) to tighten the M8 cap head screws.
2. Fix the VESA mounting plate to your TV or computer monitor. At this stage it is worth noting that the flange with hole on the VESA mount plate Part (E) goes at the top of the TV as indicated in Figure 1. If your TV manufacture has supplied bolts for the VESA mount you should use the ones supplied with your TV. If not use the supplied fixing kit Part (G) which contains M4 and M5 bolts of different lengths and washers to suite most displays. Take care to choose bolts of the correct length and if necessary, use the washers and spacers as shown in Figure 2.
3. Remove the rear headrests out of the bench seat and thread the Rail Assembly onto the head rest bars. It is easier to do this one headrest at a time. You may need to loosen the bolt at one end of the Rail Assembly using the supplied 3mm allen key to adjust the spacing between either end of the Rail Assembly as shown in Figure 3. Once the Rail Assembly is in place be sure to tighten the bolts at either end of it, do not over tighten them, hand tight is sufficient.
4. Slide the TV and VESA mount onto the headrest mount as shown in Figure 4.
5. Use the small Knurled Thumb screw (F) to fix the TV and VESA plate onto the headrest mount as shown in Figure 5.



**Caution – always remove the TV and TV mounting bracket before driving. Do not mount a TV weight more than 8kg in weight.**

## Installation complete.

We hope you enjoy your side table. If you encounter any difficulties, please do not hesitate to contact us for advice and support:

by e-mail: [hello@yescampervan.co.uk](mailto:hello@yescampervan.co.uk)

On our web page: [www.YesCampervan.co.uk](http://www.YesCampervan.co.uk)

Please could you take a moment to leave a review on our Google profile or Facebook page? As a small but growing family business we really appreciate your feedback and support in this way, just scan the QR code below:

Google Reviews



Facebook



Instagram



Yescampervan.co.uk



## Figures 1-5

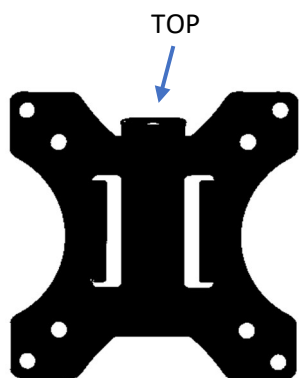


Figure 1. Flange with hole should be orientated upwards.

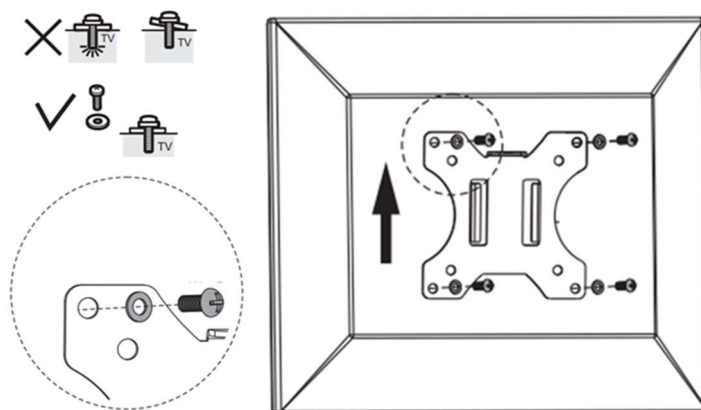


Figure 2. Choose the appropriate length screws to attach the VESA plate to the TV.



Figure 3. TV mount assembly threaded onto headrest bars.

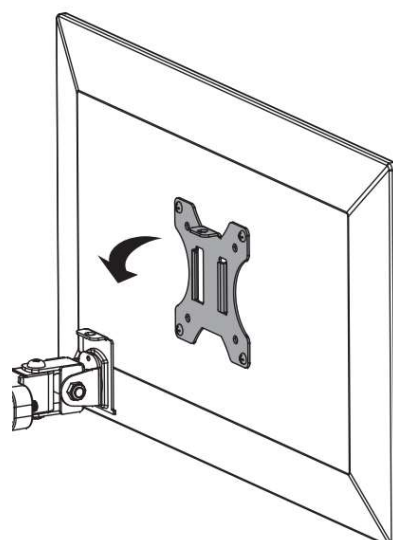


Figure 4. Slide the TV and VESA plate onto the head rest mount.

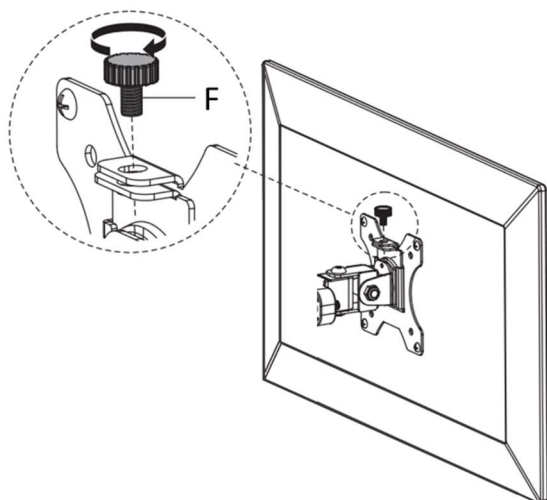


Figure 5. Use knurled thumb screw to secure the TV and VESA plate onto the headrest mount.